

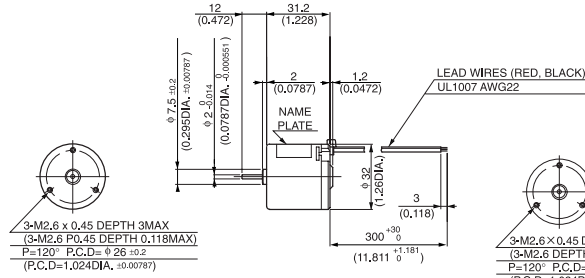
DME33

MODEL CODE	VOLTAGE	OUTPUT	CURRENT
SA	12V	0.7W	0.12A
SB	24V	0.7W	0.06A
BA	12V	3.0W	0.42A
BB	24V	3.0W	0.22A

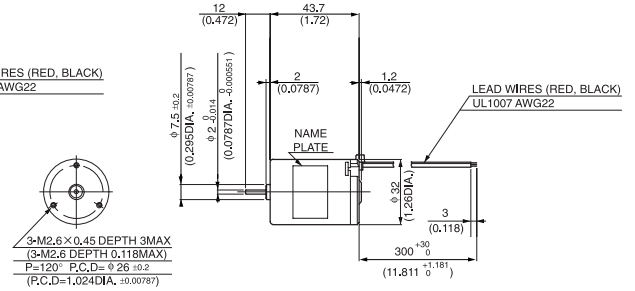


● DIMENSIONS Unit mm(inch)

DME33SA, DME33SB

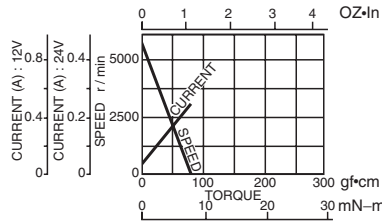


DME33BA, DME33BB

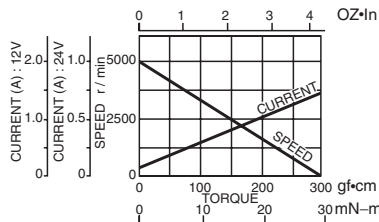


● CURRENT, SPEED-TORQUE CURVE

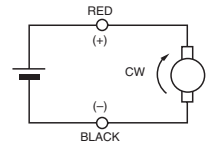
DME33SA, DME33SB



DME33BA, DME33BB



● CONNECTION

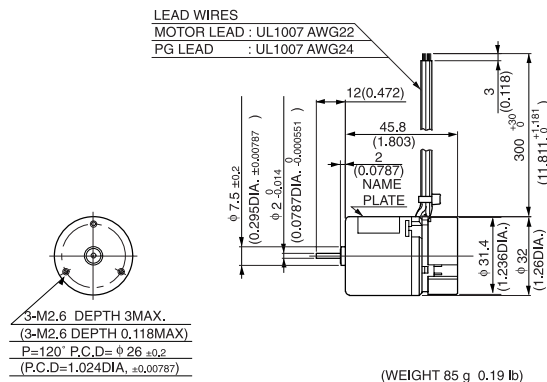


● STANDARD SPECIFICATIONS

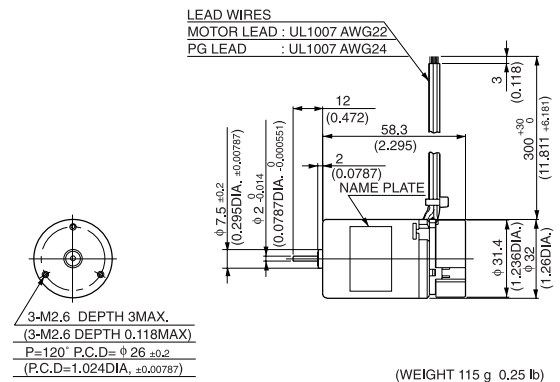
Model	Rated					No load		Stall torque		Weight		
	Output W	Voltage V	Torque mN·m	Torque oz·in	Current A	Speed r/min	Current A	Speed r/min	mN·m	oz·in	g	lb
DME33SA	0.7	12	1.5	0.21	0.12	4500	0.05	5500	7.8	1.11	70	0.15
DME33SB	0.7	24	1.5	0.21	0.06	4500	0.02	5500	7.8	1.11	70	0.15
DME33BA	3	12	7.8	1.11	0.42	3700	0.06	5000	29	4.17	100	0.22
DME33BB	3	24	7.8	1.11	0.22	3700	0.04	5000	29	4.17	100	0.22

● REVOLUTION SENSOR MAGNET TYPE

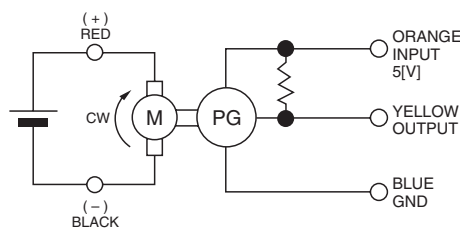
DME33SMA, DME33SMB



DME33BMA, DME33BMB



● CONNECTION OF REVOLUTION SENSOR



● SPECIFICATION OF REVOLUTION SENSOR SHOWN ON PAGE 8.