

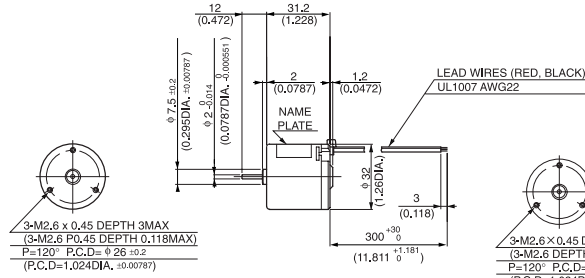
DME33

MODEL CODE	VOLTAGE	OUTPUT	CURRENT
SA	12V	0.7W	0.12A
SB	24V	0.7W	0.06A
BA	12V	3.0W	0.42A
BB	24V	3.0W	0.22A

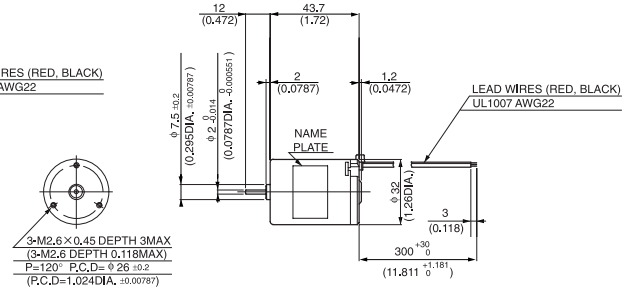


● DIMENSIONS Unit mm(inch)

DME33SA, DME33SB

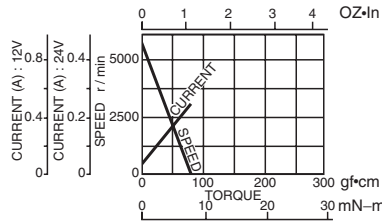


DME33BA, DME33BB

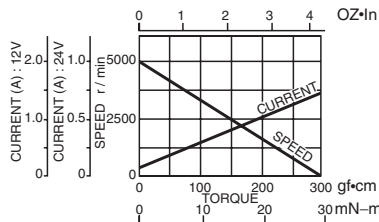


● CURRENT, SPEED-TORQUE CURVE

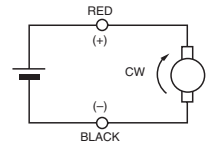
DME33SA, DME33SB



DME33BA, DME33BB



● CONNECTION

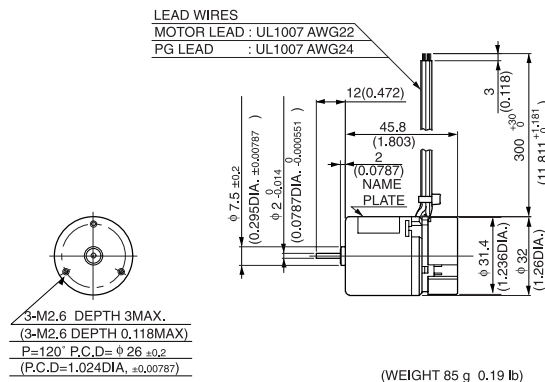


● STANDARD SPECIFICATIONS

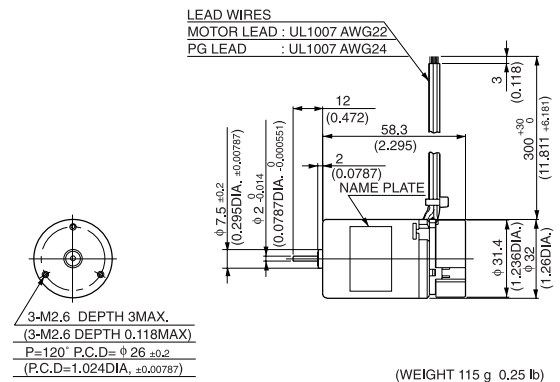
Model	Rated					No load		Stall torque		Weight		
	Output	Voltage	Torque		Current	Speed	Current	Speed	mN-m	oz-in	g	lb
	W	V	mN-m	oz-in	A	r/min	A	r/min				
DME33SA	0.7	12	1.5	0.21	0.12	4500	0.05	5500	7.8	1.11	70	0.15
DME33SB	0.7	24	1.5	0.21	0.06	4500	0.02	5500	7.8	1.11	70	0.15
DME33BA	3	12	7.8	1.11	0.42	3700	0.06	5000	29	4.17	100	0.22
DME33BB	3	24	7.8	1.11	0.22	3700	0.04	5000	29	4.17	100	0.22

● REVOLUTION SENSOR MAGNET TYPE

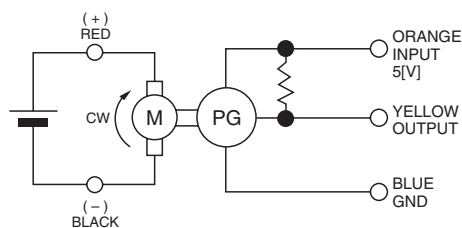
DME33SMA, DME33SMB



DME33BMA, DME33BMB



● CONNECTION OF REVOLUTION SENSOR



● SPECIFICATION OF REVOLUTION SENSOR SHOWN ON PAGE 8.

DME33

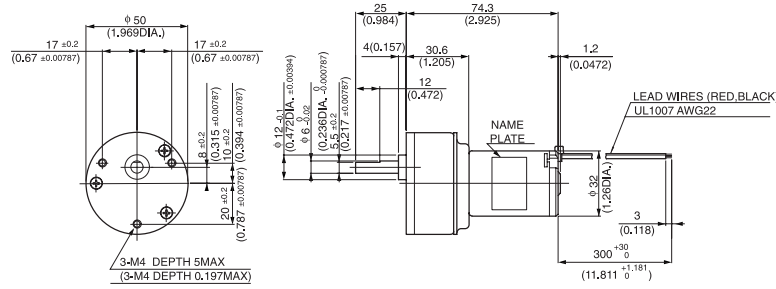
MODEL CODE	VOLTAGE	OUTPUT	CURRENT
SA	12V	0.7W	0.12A
SB	24V	0.7W	0.06A
BA	12V	3.0W	0.42A
BB	24V	3.0W	0.22A

WITH GEARBOX 50G



50G

● DIMENSIONS Unit mm(inch) DME33B50G



(WEIGHT 300g 0.66 lb)

● with 50G TYPE GEARBOX

Model	Gear ratio		9	18	*27	*36	*54	*72	96	144	192	256
	Rated speed	r/min	411	205	137	102	68.5	51.3	38.5	25.7	19.3	15.7
DME33B50G □ ☆	Rated torque	N-m	0.057	0.11	0.15	0.21	0.3	0.41	0.49	0.74	0.98	0.98
		oz-in	8.05	15.28	20.83	29.16	43.05	58.33	69.44	104.15	138.87	138.87

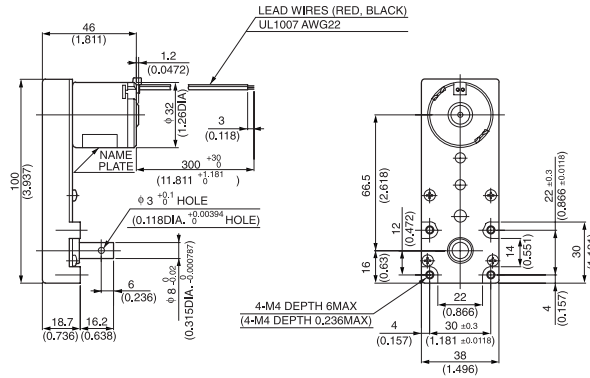
WITH GEARBOX L

Gear heads for
intermittent drive



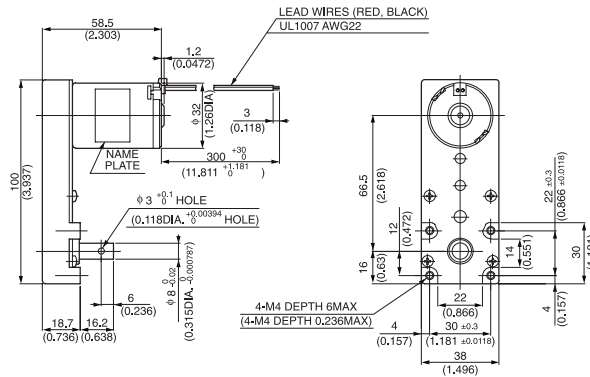
L

● DIMENSIONS Unit mm(inch) DME33SL



(WEIGHT 240 g 0.53 lb)

DME33BL



(WEIGHT 270 g 0.6 lb)

● with L TYPE GEARBOX

Model	Gear ratio		30	50	120	150	200	255
	Rated speed	r/min	150	90	37.5	30	22.5	17.6
DME33SL □ ☆	Rated torque	N-m	0.025	0.043	0.098	0.13	0.17	0.22
		oz-in	3.61	6.11	13.89	18.05	23.61	30.55
DME33BL □ ☆	Rated speed	r/min	139	83.7	34.9	27.9	20.9	16.4
		N-m	0.086	0.14	0.34	0.43	0.58	0.74
		oz-in	12.22	19.44	48.61	61.10	81.93	104.15

NOTE 1: Enter the required reduction ratio in the □.
2: *Rotation of gearbox shaft is in reverse of rotation of motor.
3: Enter the required voltage A or B in the ☆.