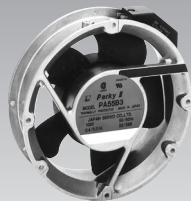


AC Axial Fan
PA



$\phi 172 \times 51$ ($\phi 6.8" \times 2.0"$)
 Max. airflow: 5.5 m³/min (50 Hz)
 6.5 m³/min (60 Hz)
 Max. static pressure:
 152 Pa (50 Hz) 186 Pa (60 Hz)
 Mass: 950 g

Fan model code

PA2B3

PA47B3

PA48B3

PA55B3

PA55H3

PA60B3

PA77B3

Standard specification

(*1: Rated values appear on name plate)

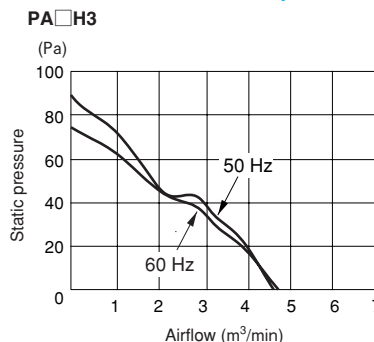
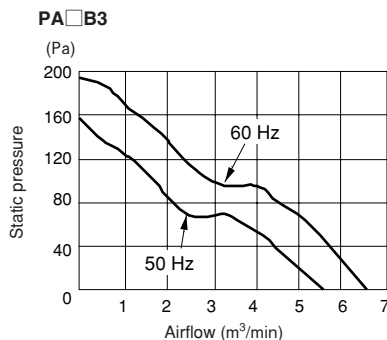
Max. Airflow m ³ /min	Max. Static Pressure CFM Pa inH ₂ O	Noise dB	Speed min ⁻¹	Rated Vol. V (±10%)	Freq. Hz	Input W *1	Current mA*1	Lock Current mA	Model Code		
									Terminal Type	Standard*2	
5.5/ 6.5	194/ 229	152/ 186	0.61/ 0.75	46/ 50	2850/ 3400	220-240/ 208-230	50/ 60		100	PA55B3	UCP
									115	PA2B3	UCP
									200	PA60B3	UCP
									33/30	PA77B3	UCP
									33/32	PA47B3	UCP
									33/32	PA48B3	UCP
4.7/4.7	166/166	90/75	0.36/0.30	44/44	2500/2500	100		17/19	180/200	PA55H3	UCP

- Figures in the table are average measured values. Please request the product delivery specification when preparing a purchase specification.
- *2: The symbols in the standards column denote that they are registered in the following standards files, U: UL E48889, C: CSA LR49399
- *2: Products conforming to the specifications of the Electrical Appliance and Material Safety Law (Japan) can be used in case the products are assembled in electric appliances used in Japan. (Products marked with the (PS)E mark)

General specification

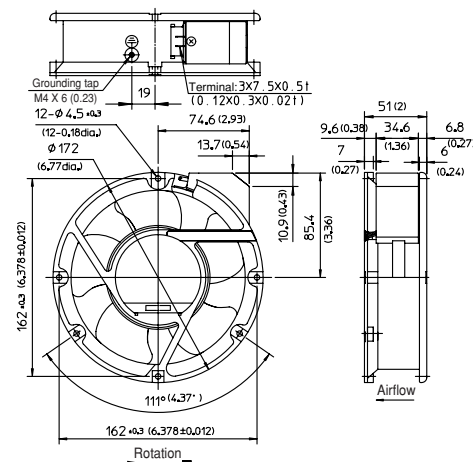
Material Used	Venturi: Aluminum alloy die casting Propeller: ABS and PBT synthetic resins Capacitor cover: Glass fiber reinforced polycarbonate resin Capacitor: MF capacitor Bearing: Double - sided shielded ball bearing
Motor	Capacitor phase advancing type induction motor Protection type: Thermal protection
Common Elec. Spec.	See page G-12.
Usage Range	Rated voltage ±10 %
Operating Temp. Range	-20 °C ~ +60 °C
Standard Carton	12 to a carton of (420 x 410 x 220) mm, mass 12.5 kg

Standard airflow and static pressure characteristics (At rated voltage)



External dimensions in mm (inches)

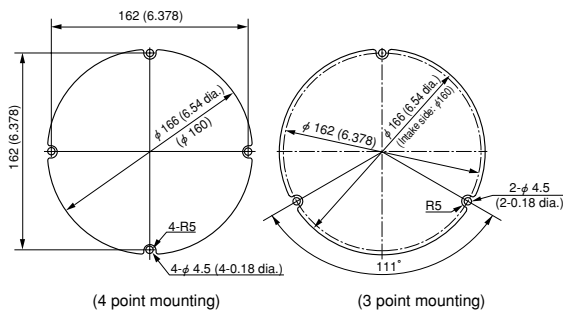
Terminal type



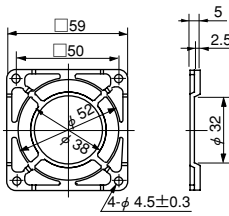
Options (sold separately)

- Guard: GUARD 172
- Power code: T2P1 code, D2P1 code, UL2P1 code

Mounting hole dimensions in mm (inches)
[Recommendation]

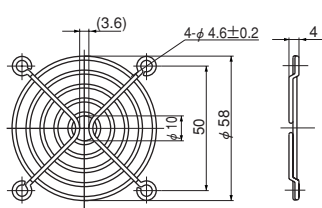


F60P Guard (Mass 4 g)



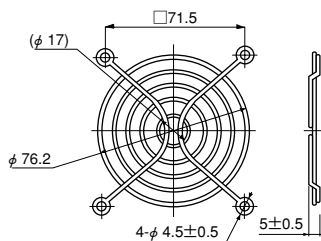
Material: Polycarbonate (black)
UL94V-2

F60UL Guard (Mass 12 g)



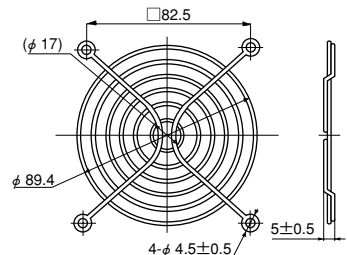
Material: Mild steel wire 1.6 dia.
Surface treatment:
Nickel chromium plating

F80UL Guard (Mass 14 g)



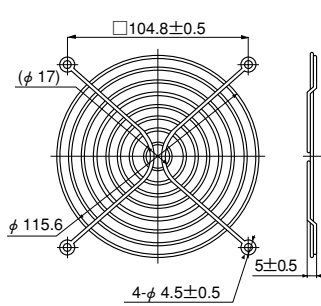
Material: Mild steel wire 1.6 dia.
Surface treatment:
Nickel chromium plating

F92UL Guard (Mass 16 g)



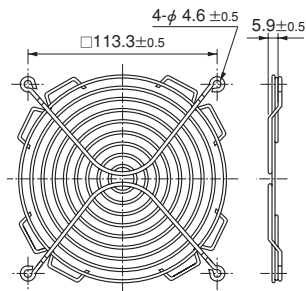
Material: Mild steel wire 1.6 dia.
Surface treatment:
Nickel chromium plating

F120UL Guard (Mass 29 g)



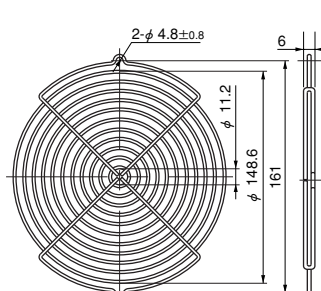
Material: Mild steel wire 1.6 dia.
Surface treatment:
Nickel chromium plating

F127UL Guard



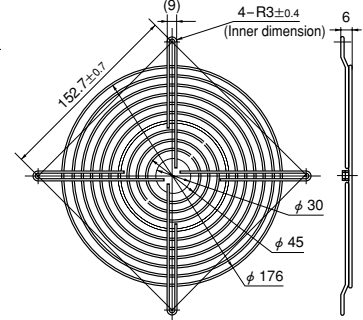
Material: Mild steel wire 1.6 dia.
Surface treatment:
Nickel chromium plating

GUARD 172



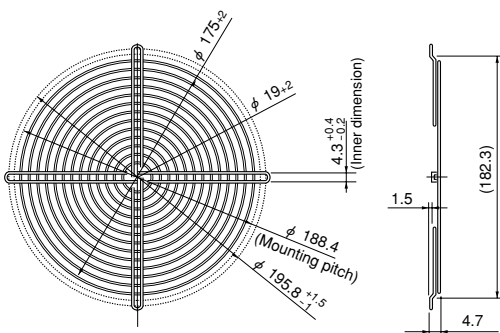
Material: Mild steel wire 2 dia.
Surface treatment:
Nickel chromium plating

F180UL Guard



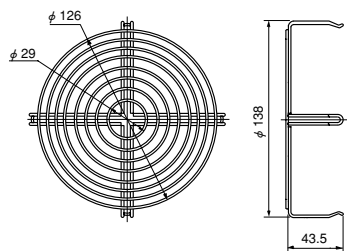
Material: Mild steel wire 1.6 dia.
Surface treatment:
Nickel chromium plating

F200UL Guard (Mass 82 g)



Material: Mild steel wire 1.6 dia.
Surface treatment:
Nickel chromium plating

SCN Guard (Mass 55 g)



Material: Mild steel wire 1.6 dia.
Surface treatment:
Nickel chromium plating

- Guard special for intake side of SCN (metal venturi) fans.

List of mating fan series

Guard	F60P	F60UL	F80UL	F92UL	F120UL	F127UL	GUARD 172	F180UL	F200UL	SCN
SCN					○*1					○*2
AC Axial Fans			○	○						
VE			○							
WE				○						
KA				○						
CU					○					
CN					○					
MA							○			
PA							○			
DC Axial Fans	○	○	○	○	○	○	○	○	○	○
TUDC	○	○								
PUDC			○							
KUDC				○						
DO925C				○						
KLDC				○						
CUDC					○					
D1225C					○					
DC Axial Fans										
CNDC					○					
D1238T					○					
D1238B					○					
D1338B						○				
D1338S						○				
D1751M							○			
D1751S							○			
G0638D		○								
G0838C			○							
G0938B				○						
G1238B					○					
G1751M								○		

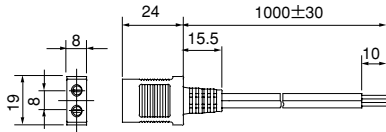
*1: Can be installed only on outlet side. *2: Can be installed only on intake side. All guards conform to the UL standard when combined with NIDEC SERVO fans. The installation of a filter, guard and other accessories will constitute a ventilating load, reducing the airflow. Select a suitable guard, taking into consideration the increase in air resistance. (See Figs. 12 and 13 on page G-7.)

Plug cords for AC fans

(Common specification: Rated 3 A, voltage 250 V, dielectric strength 1 minute at 1500 V 50 Hz)

D2P1 cord (Mass 35 g)

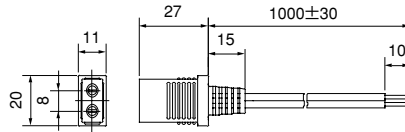
Certified under the Electrical Appliance and Material Safety Law (Japan) (<PS>E mark approved)
Cord 0.18 dia. 30 conductors Black, heat resistant vinyl



* D2P2 cord with 2m length also available.

UL2P1 cord (Mass 41 g)

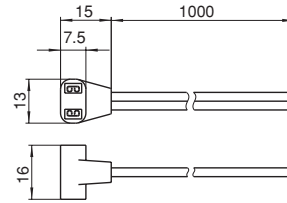
UL standard product (UL file No. E78112)
Cord 0.16 dia. 41 conductors Black, heat resistant vinyl



* UL2P2 cord with 2m length also available.

T2P1 cord

For wiring inside equipment
Cord 0.18 dia. 30 conductors Black, heat resistant vinyl

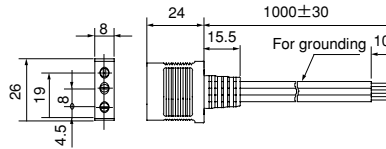


* T2P2 cord with 2m length also available.

D3P1 cord (Mass 59 g)

Certified under the Electrical Appliance and Material Safety Law (Japan) (<PS>E mark approved)
Cord:

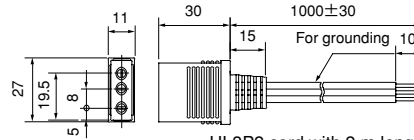
For power feeding 0.18 dia. 30 conductors Black, heat resistant vinyl
For grounding 0.18 dia. 50 conductors Black, heat resistant vinyl



UL3P1 cord (Mass 60 g)

UL standard product (UL file No. E78112)
Cord:

For power feeding 0.16 dia. 41 conductors Black, heat resistant vinyl
For grounding AWG18 green/yellow spiral, heat resistant vinyl



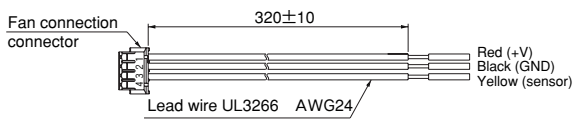
* UL3P2 cord with 2 m length also available.

List of mating fan series

Cord	T2P1	T2P2	D2P1	D2P2	D3P1	UL2P1	UL2P2	UL3P1	PL3P2
WE	○	○	○	○		○	○		
KA	○	○	○	○		○	○		
CU	○	○	○	○		○	○		
CN (2 terminals)	○	○	○	○		○	○		
CN (3 terminals)					○			○	○
MA	○	○	○	○		○	○		
PA	○	○	○	○		○	○		

Plug cords for DC fans

DCLD030ST-ZZ01 (S sensor output cord)



DCLD030PT-ZZ01 (P sensor output cord)



• Lead wire ends are sheathed to protect conductors. (Sheath peeling dimension 10±5)

Component (Model Code)	Mating Model Code
DCLD030ST-ZZ01	E1033H□□B□AM-04
DCLD030PT-ZZ01	